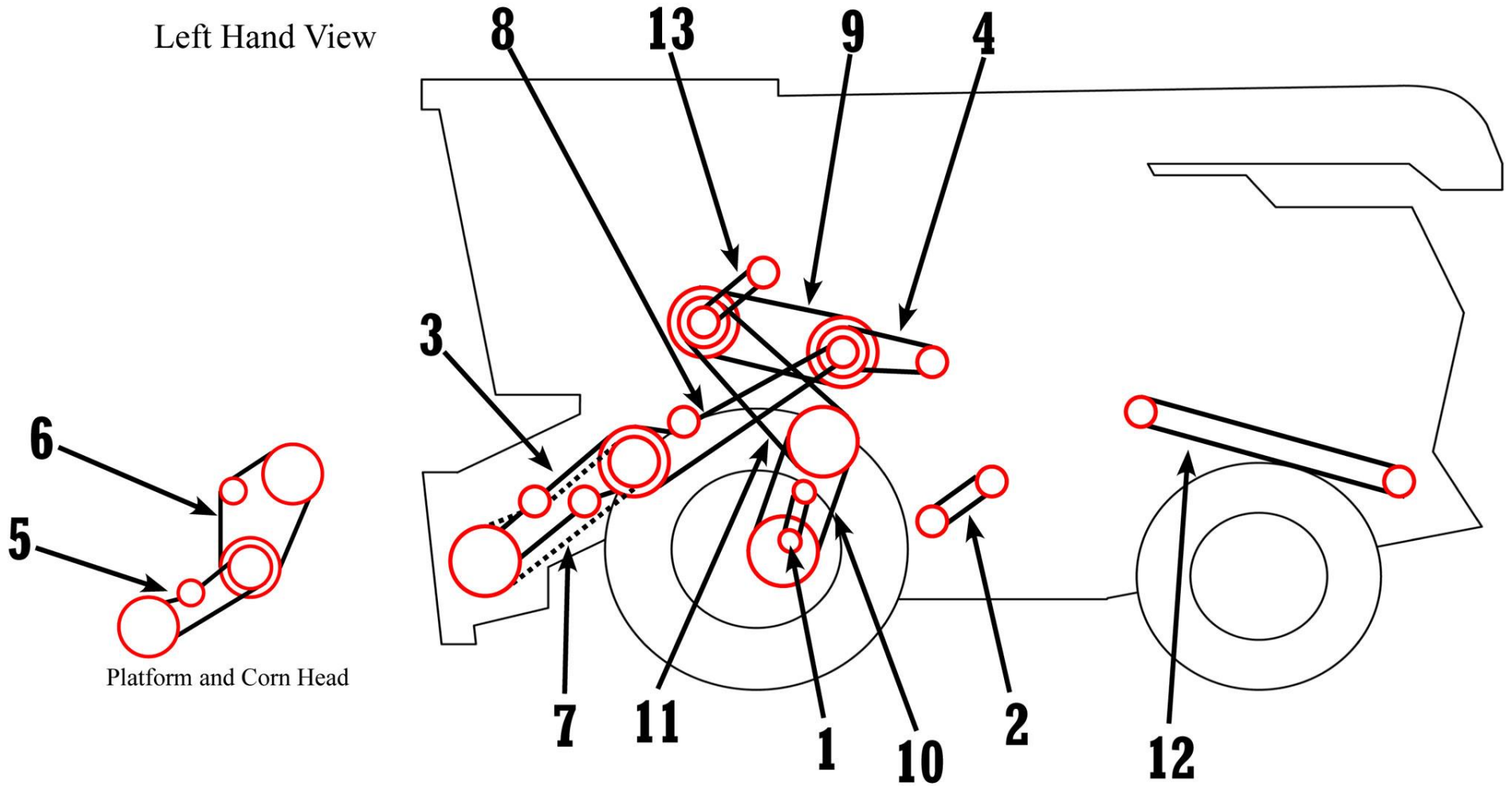


Left Hand View

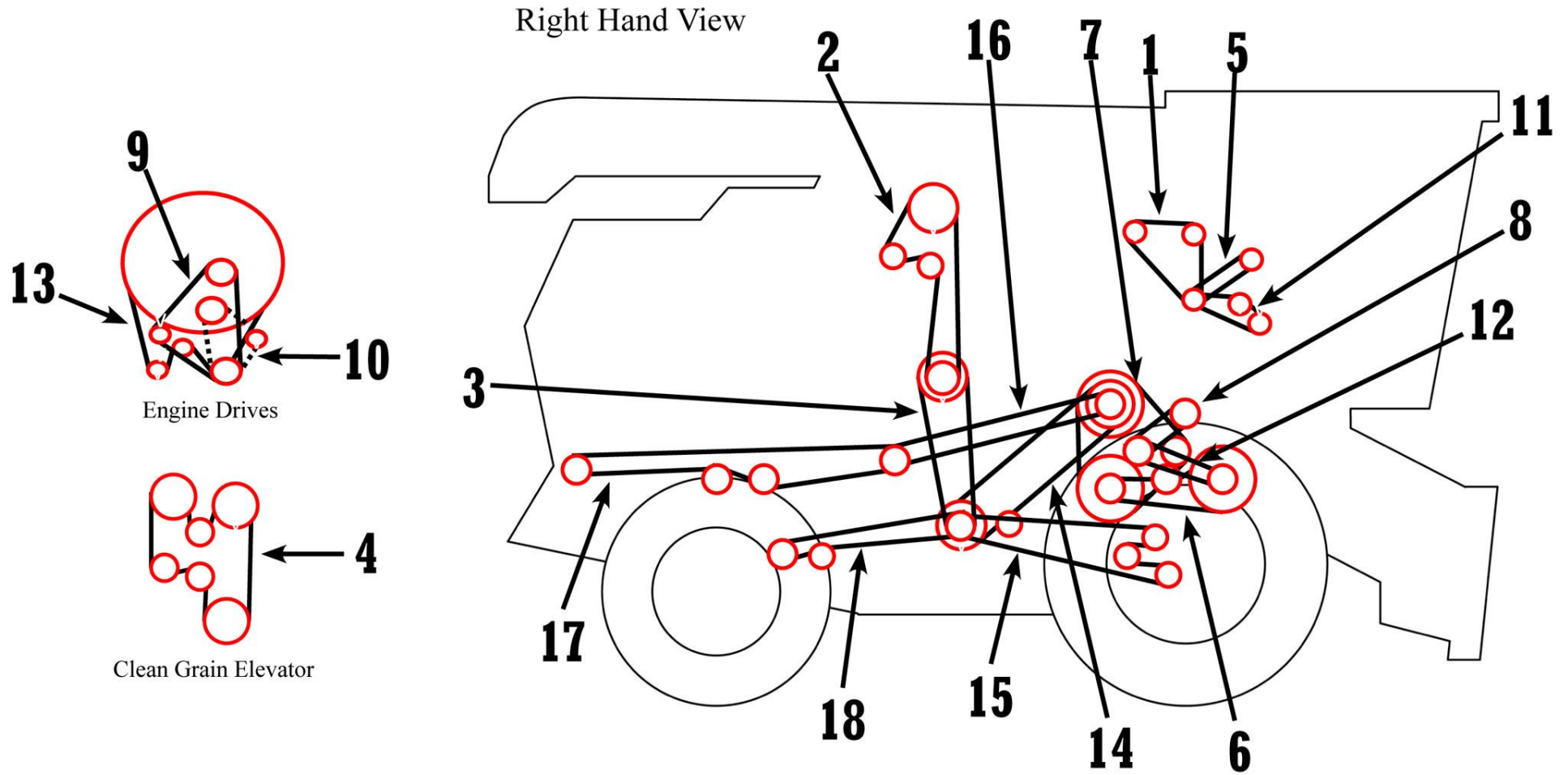


Platform and Corn Head

Id	Part Number	Description	Applications
1	QPT12042	CHARGE PUMP, HYDROSTATIC DRIVE	6600 (Prior to S/N 9583), 7700 (Prior to S/N 6208)
1	QPT199T	CHARGE PUMP, HYDROSTATIC DRIVE	6600 (S/N 9583 & above), 7700 (S/N 6208 & above)
1	QPT199T	CHARGE PUMP, POWER REAR WHEEL DRIVE	7700 (Prior to S/N 6208)
2	QPH108668	CLEANING FAN	6600, 7700
3	QPH77766	FEEDER CONVEYOR (REGULAR FEEDER HOUSE)	6600, 7700
3	QPH125380	FEEDER CONVEYOR (LONG FEEDER HOUSE)	6600, 7700

4	QPH77683	HYDROSTATIC REEL PUMP	6600, 7700
5	QPAH76154	PLATFORM & CORN HEAD LOWER VARIABLE	6600, 7700
5	QPAH89436	PLATFORM & CORN HEAD LOWER VARIABLE	6600 Sidehill
6	QPP46553	PLATFORM & CORN HEAD MIDDLE VARIABLE	6600 (Prior to S/N 254351), 7700 (Prior to S/N 8001)
6	QPH84441	PLATFORM & CORN HEAD MIDDLE VARIABLE	6600 (S/N 254351 & above), 7700 (S/N 8001 & above)
7	QPH77765	PLATFORM & FEEDER HOUSE LWR REGULAR	6600, 7700
7	QPH79796	PLATFORM & FEEDER HOUSE LWR LONG	6600, 7700
8	QPH76030	PLATFORM & FEEDER HOUSE UPPER	6600 (Prior to S/N 254051), 7700 (Prior to S/N 8001)
8	QPH76030	PLATFORM & FEEDER HOUSE UPPER	6600 (S/N 254051 & above-Except Corn Variable Speed)
8	QPH76030	PLATFORM & FEEDER HOUSE UPPER	7700 (S/N 8001 & above-Except Corn Variable Speed)
8	QPH23927	PLATFORM & FEEDER HOUSE UPPER	6600 (S/N 254051 & above-Corn Vari-Spd Feederhouse)
8	QPH23927	PLATFORM & FEEDER HOUSE UPPER	7700 (S/N 8001 & above-Corn Variable Speed Feederhouse)
9	QPAH75638	PRIMARY COUNTERSHAFT	6600 (Prior to S/N 11501), 7700 (Prior to S/N 5001)
9	QPH84462	PRIMARY COUNTERSHAFT	6600 (S/N 11501 & above), 6600 (Sidehill-Prior to S/N 305673)
9	QPH84462	PRIMARY COUNTERSHAFT	7700 (362GH-01/404DH-01/404DH-04-S/N 5001 & above)
9	QPH108175	PRIMARY COUNTERSHAFT	6600 (Sidehill-S/N 305673 & above), 7700 (404TH-01-S/N 8001 & above)
10	QPH88576	PROPULSION HYDROSTATIC DRIVE LOWER	6600 (Prior to S/N 156501)
10	QPAH84633	PROPULSION HYDROSTATIC DRIVE LOWER	6600 (S/N 156501 & above), 7700
10	QPH75846	PROPULSION POSI-TORQUE LOWER	6600, 7700
10	QPH75847	PROPULSION DRIVE LOWER	6600
11	QPH88576	PROPULSION HYDROSTATIC DRIVE UPPER	6600 (Prior to S/N 156501)
11	QPAH84633	PROPULSION HYDROSTATIC DRIVE UPPER	6600 (S/N 156501 & above), 7700
11	QPAH21301	PROPULSION POSI TORQUE UPPER	6600, 6600 (Sidehill-Prior to S/N 305673)
11	QPAH21301	PROPULSION POSI TORQUE UPPER	7700 (404DH-04-S/N 111901 & above)
11	QPAH87127	PROPULSION POSI TORQUE UPPER	6600 (Sidehill-S/N 305673 & above)
11	QPAH87127	PROPULSION POSI TORQUE UPPER	7700 (404TH-01-S/N 111901 & above)
11	QPH75847	PROPULSION BELT DRIVE UPPER	6600
11	QPH75846	PROPULSION BELT DRIVE UPPER	7700 (Prior to S/N 115001)
12	QPH26858	STRAW SPREADER	6600, 7700
13	QPH76150	UNLOADING AUGER COUNTERSHAFT	6600, 6600 Sidehill (Prior to S/N 305673)
13	QPH76150	UNLOADING AUGER COUNTERSHAFT	7700 (362GH-01/404DH-01/404DH-04-S/N 8001 & above)
13	QPH84424	UNLOADING AUGER COUNTERSHAFT	6600 Sidehill (S/N 305673 & above), 7700 (404TH-01-S/N 8001 & above)

NI	QPP49415	DIP AND POUR ELEVATOR DRIVE, UPPER COUNTERSHAFT	7700
NI	QPE60212	DIP AND POUR ELEVATOR DRIVE, UPPER COUNTERSHAFT	7700



Id	Part Number	Description	Applications
1	QPH80897	ALTERNATOR & WATERPUMP	6600 (Prior to S/N 105801)
1	QPH80896	ALTERNATOR & WATER PUMP	6600 (6329GH-02-Prior to S/N 156501)
1	QPH80896	ALTERNATOR & WATER PUMP	6600 (6329DH-01-Prior to S/N 208511)
1	QPH82724	ALTERNATOR & WATER PUMP	6600 (329DH-01-S/N 208511 & above)

1	QPH85377	ALTERNATOR & WATER PUMP	6600 (6404DH), 6600 (640DH Sidehill-Prior to S/N 305673)
1	QPH79236	ALTERNATOR & WATER PUMP	6600 (6404TH Sidehill-S/N 305673 & above)
1	QPAR41628	ALTERNATOR & WATER PUMP	7700 (Gas-Prior to S/N 2801)
1	QPH80896	ALTERNATOR & WATER PUMP	7700 (Gas-S/N 2801 & above)
1	QPAR41576	ALTERNATOR & WATER PUMP	7700 (DSL-Prior to S/N 2801)
1	QPH82724	ALTERNATOR & WATER PUMP	7700 (DSL-S/N 2801-8000)
1	QPR52507	ALTERNATOR & WATER PUMP	7700 (404DH-04-Prior to S/N 8002 and Prior to S/N 163901)
1	QPH85377	ALTERNATOR & WATER PUMP	7700 (404DH-04-S/N 163901 & above)
1	QPR70871	ALTERNATOR & WATER PUMP	7700 (404TH-01-S/N 8001-163900)
1	QPH79236	ALTERNATOR & WATER PUMP	7700 (404TH-01-S/N 163901 & above)
2	QPH23950	CLEAN GRAIN ELEVATOR, AUGER, U-JOINT LOADING	6600, 7700
3	QPH27433	CLEAN GRAIN ELEVATOR COUNTERSHAFT	6600, 7700
4	QPH77766	CLEAN GRAIN ELEVATOR	6600, 7700
5	QPH80896	COMPRESSOR, AC	6600 (Prior to S/N 105801), 7700 (404TH-01-S/N 8001-163900)
5	QPH80897	COMPRESSOR, AC	7700 (Gas-Prior to S/N 111901), 404DH-01(Prior to S/N 8001)
5	QPH77683	COMPRESSOR, AC	6600 (329 Diesel-S/N 105801-156500)
5	QPH86275	COMPRESSOR, AC	6600 (6329DH-01-S/N 156501 & above)
5	QPH87459	COMPRESSOR, AC	6600 (640DH), 6600 (6404DH Sidehill-Prior to S/N 305673)
5	QPR71603	COMPRESSOR, AC	6600 (6404TH Sidehill-S/N 305673 & above)
5	QPR71603	COMPRESSOR, AC	7700 (404TH-01-S/N 163901 & above)
5	QPH81742	COMPRESSOR, AC	7700 (404DH-04-S/N 8001-163900)
5	QPH87459	COMPRESSOR, AC	7700 (404DH-04-S/N 163901 & above)
6	QPAH80505	CYLINDER 280-845 RPM	6600, 7700 (Prior to S/N 8001)
6	QPH96423	CYLINDER 289-873 RPM SLOW SPD (INT SHAFT)	6600, 7700 (S/N 8001 & above)
6	QPAH80503	CYLINDER 407-1228 RPM	6600, 7700 (Prior to S/N 8001)
6	QPH96408	CYLINDER 414-1250 RPM	7700 (S/N 8001 & above)
7	QPH113749	CYLINDER, INTERMEDIATE SHAFT	6600, 7700
7	QPH161339	CYLINDER, INTERMEDIATE SHFT, HEAVYDUTY	6600, 7700
8	QPH83077	CYLINDER TACHOMETER	6600, 7700
9	QPH86272	ENGINE FAN	6600 (6329GH-02 & 6329DH-01)
9	QPH86271	ENGINE FAN	6600 (Prior to S/N 105801)
9	QPH86271	ENGINE FAN	7700 (Gas), 7700 (404DH-01-Prior to S/N 8001)
9	QPH84740	ENGINE FAN	7700 (404DH-04 & 404TH-01-S/N 8001-111900)

10	QPH137207	ENGINE FAN & ROTARY SCREEN DRIVE SHAFT	6600 (6404H), 6600 (Sidehill-Prior to S/N 305673)
10	QPH137207	ENGINE FAN & ROTARY SCREEN DRIVE SHAFT	7700 (404DH-04)
10	QPH86273	ENGINE FAN & ROTARY SCREEN DRIVE SHAFT	6600 (6404TH Sidehill-S/N 305673 & above)
10	QPH86273	ENGINE FAN & ROTARY SCREEN DRIVE SHAFT	7700 (404TH-01)
10	QPH86274	ENGINE FAN & ROTARY SCREEN DRIVE SHAFT	6600 (6329GH-02-Prior to S/N 156501), 6600 (6329DH-01)
12	QPH86061	ROTARY DEFLECTOR	6600 (S/N 2252-105800), 7700 (S/N 1278-111900)
12	QPH86039	ROTARY DEFLECTOR	6600 (S/N 105801 & above), 7700 (S/N 111901 & above)
13	QPH87296	ROTARY SCREEN	6600 (Prior to S/N 105801)
13	QPH86259	ROTARY SCREEN	6600 (S/N 105801 & above), 7700
14	QPH77019	SECONDARY COUNTERSHAFT	6600, 7700
15	QPH77010	SHOE GRAIN SUPPLY AUGERS	6600, 7700
16	QPH138762	STRAWCHOPPER, FRONT	6600, 7700
17	QPH79789	STRAW CHOPPER, REAR	6600, 7700
18	QPN110085	TAILINGS LOWER AUGER	6600, 7700