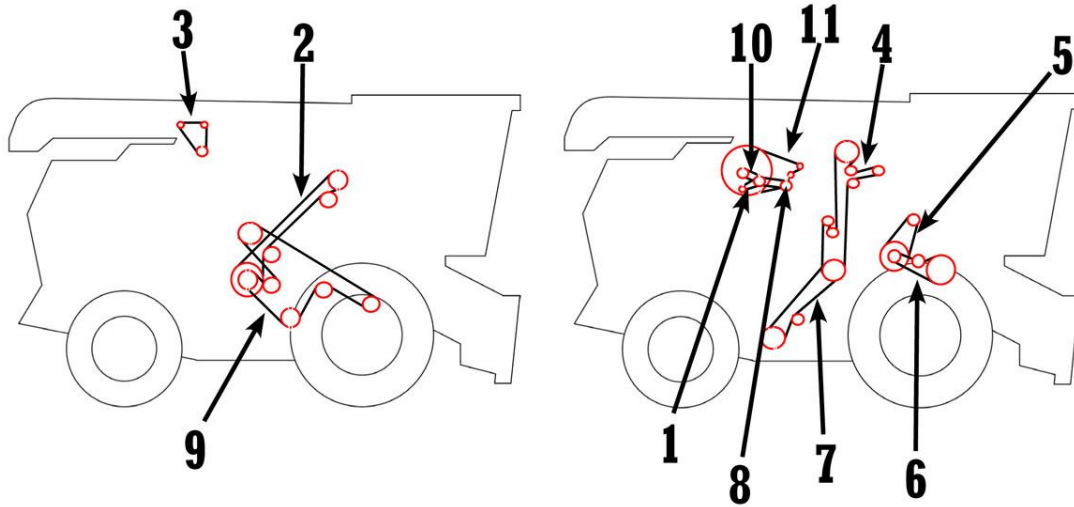
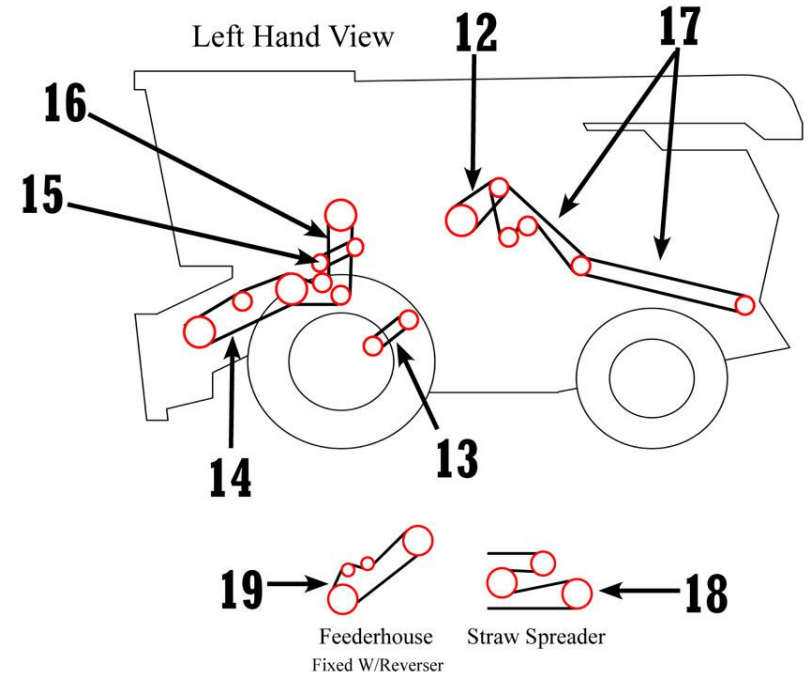


Right Hand View



Left Hand View



| Id | Part Number | Description | Applications |
|----|-------------|-----------------------------|---|
| 1 | QPH134772 | AIR CONDITIONING COMPRESSOR | 9400 (S/N 630201-635100) |
| 1 | QPH101813 | AIR CONDITIONING COMPRESSOR | 9400 (S/N 635101-636600) |
| 1 | QPH134437 | AIR CONDITIONING COMPRESSOR | 9500 (S/N 630301-631100), 9600 (Prior to S/N 631201) |
| 1 | QPH81742 | AIR CONDITIONING COMPRESSOR | 9500-9500SH (S/N 635201-648500) |
| 1 | QPH81742 | AIR CONDITIONING COMPRESSOR | 9600 (S/N 631201-647500) |
| 1 | QPH80896 | AIR CONDITIONING COMPRESSOR | 9400 (S/N 650101 & above), 9500-9500SH (S/N 650201 & above) |
| 1 | QPH80896 | AIR CONDITIONING COMPRESSOR | 9600 (S/N 647501 & above) |
| 2 | QPH128010 | SECONDARY COUNTERSHAFT | 9400, 9500, 9500SH, 9501, 9600 |
| 3 | QPRE44538 | ALTERNATOR | 9400 (Prior to S/N 635101), 9600 (Prior to S/N 631201) |
| 3 | QPH101813 | ALTERNATOR | 9400 (S/N 635101 & above), 9500-9500SH (S/N 645201 & above) |
| 3 | QPH101813 | ALTERNATOR | 9600 (S/N 631201 & above) |
| 3 | QPH134344 | ALTERNATOR (LOW POWER) | 9500, 9500SH |
| 3 | QPR73189 | ALTERNATOR | 9500-9500SH (S/N 635201-645200) |

| | | | |
|----|------------|--|---|
| 4 | QPH137830 | CLEAN GRAIN ELEVATOR | 9400 (Prior to S/N 640101), 9500-9500SH (Prior to S/N 640200) |
| 4 | QPH137830 | CLEAN GRAIN ELEVATOR | 9501 |
| 4 | QPH141167 | CLEAN GRAIN ELEVATOR | 9400 (S/N 640101 & above), 9500-9500SH (S/N 640201 & above) |
| 4 | QPH135458 | CLEAN GRAIN ELEVATOR | 9600 (Prior to S/N 640301) |
| 4 | QPH141166 | CLEAN GRAIN ELEVATOR | 9600 (S/N 640301 & above) |
| 5 | QPH210476 | CYLINDER INTERMEDIATE DRIVE | 9400, 9500, 9501, 9500SH, 9600 |
| 5 | QPH137670 | CYLINDER INTERMEDIATE DRIVE (EXT RANGE) | 9400 |
| 6 | QPH115881 | CYLINDER DRIVE (REG DUAL & SINGLE RANGE) | 9400, 9500, 9501, 9500SH, 9600 |
| 6 | QPH145994 | CYLINDER DRIVE (EXTENDED RANGE) | 9400 |
| 6 | QPH118618 | CYLINDER DRIVE (SLOW SPEED) | 9500, 9500SH, 9600 |
| 7 | QPN110085 | TAILINGS AUGER & ELEVATOR, LOWER | 9400, 9500, 9501, 9500SH, 9600 |
| 8 | QPH134216 | ROTARY SCREEN DRIVE | 9400 (Prior to S/N 640506) |
| 8 | QPH146636 | ROTARY SCREEN DRIVE | 9400 (S/N 640506 & above) |
| 8 | QPH134216 | ROTARY SCREEN DRIVE | 9500-9500SH (Prior to S/N 642579) |
| 8 | QPH133577 | ROTARY SCREEN DRIVE | 9600 (Prior to S/N 641922) |
| 8 | QPH146636 | ROTARY SCREEN DRIVE | 9500-9500SH (S/N 642579 & above), 9600 (S/N 641922 & above) |
| 9 | QPH131169 | SHOE, STRAW WALKER AND CONVEYOR AUGERS | 9400, 9500, 9500SH, 9501, 9600 |
| 10 | QPH132809 | COOLING FAN | 9400 |
| 10 | QPH132808 | COOLING FAN (LOW POWER) | 9500, 9600 (Prior to S/N 641717) |
| 10 | QPH153297 | COOLING FAN (HIGH POWER) | 9500, 9500SH, 9600 (S/N 641717 & above) |
| 11 | QPH143869 | ROTARY SCREEN | 9400 (Prior to S/N 640506) |
| 11 | QPH143869 | ROTARY SCREEN | 9500-9500SH (Prior to S/N 642579) |
| 11 | QPH143869 | ROTARY SCREEN | 9600 (Prior to S/N 641716) |
| 11 | QPH145158 | ROTARY SCREEN | 9400 (S/N 640506 & above), 9500-9500SH (S/N 642579 & above) |
| 11 | QPH145158 | ROTARY SCREEN | 9600 (S/N 641717 & above) |
| 12 | QPAH158880 | UNLOADING SYSTEM | 9400, 9500, 9501, 9500SH, 9600 |
| 13 | QPH137264 | SEPARATOR FAN, SLOW SPEED | 9400 (Prior to S/N 670101), 9501 |
| 13 | QPH137264 | SEPARATOR FAN, SLOW SPEED | 9500-9500SH (Prior to S/N 670201) |
| 13 | QPH137264 | SEPARATOR FAN, SLOW SPEED | 9600 (Prior to S/N 670301) |
| 13 | QPH152180 | SEPARATOR FAN, SLOW SPEED | 9400 (S/N 670101 & above) |

| | | | |
|----|------------|---|--|
| 13 | QPH152180 | SEPARATOR FAN, SLOW SPEED | 9500-9500SH (S/N 670201 & above) |
| 13 | QPH152180 | SEPARATOR FAN, SLOW SPEED | 9600 (S/N 670301 & above) |
| 13 | QPH140404 | SEPARATOR FAN, REGULAR SPEED | 9400 (Prior to S/N 670101), 9501 |
| 13 | QPH140404 | SEPARATOR FAN, REGULAR SPEED | 9500-9500SH (Prior to S/N 670201) |
| 13 | QPH140404 | SEPARATOR FAN, REGULAR SPEED | 9600 (Prior to S/N 670301) |
| 13 | QPH152146 | SEPARATOR FAN, REGULAR SPEED | 9400 (S/N 670101 & above) |
| 13 | QPH152146 | SEPARATOR FAN, REGULAR SPEED | 9500-9500SH (S/N 670201 & above) |
| 13 | QPH152146 | SEPARATOR FAN, REGULAR SPEED | 9600 (S/N 670301 & above) |
| 14 | QPH161648 | FEEDER HOUSE, VARIABLE SPEED | 9400, 9500, 9500SH, 9600 |
| 15 | QPAH163931 | BEATER DRIVE (75 PERCENT BEATER SPEED) | 9400, 9500, 9500SH, 9600 |
| 15 | QPAH139436 | BEATER DRIVE (100 PERCENT BEATER SPEED) | 9400, 9500, 9500SH, 9501, 9600 |
| 16 | QPH125565 | HEADER AND REEL PUMP | 9400 (Prior to S/N 635101) |
| 16 | QPH125565 | HEADER AND REEL PUMP | 9500-9500SH (Prior to S/N 635201) |
| 16 | QPH125565 | HEADER AND REEL PUMP | 9600 (Prior to S/N 635301) |
| 16 | QPH151952 | HEADER AND REEL PUMP | 9400 (S/N 635101 & above) 9500-9500SH (S/N 635201 & above) |
| 16 | QPH151952 | HEADER AND REEL PUMP | 9501, 9600 (S/N 635301 & above) |
| 17 | QPH125380 | FRONT CHOPPER DRIVE | 9400, 9500, 9500SH, 9501, 9600 |
| 17 | QPH125381 | REAR CHOPPER, LONG | 9501 |
| 17 | QPP47885 | REAR CHOPPER, SHORT | 9501 |
| 17 | QPE46113 | CHOPPER IN WINDROW OR FORWARD POSITION | 9400 (Prior to S/N 640101) |
| 17 | QPH27433 | CHOPPER IN WINDROW OR FORWARD POSITION | 9400 (S/N 640101 & above) |
| 17 | QPH101436 | CHOPPER IN REAR OPERATING POSITION | 9400 |
| 17 | QPH125381 | CHOPPER IN REAR OPERATING POSITION | 9500, 9500SH, 9600 |
| 17 | QPH23950 | CHOPPER IN WINDROW OR FORWARD POSITION | 9500-9500SH (S/N 640201 & above), 9600 |
| 17 | QPP47885 | CHOPPER IN WINDROW OR FORWARD POSITION | 9500-9500SH (Prior to S/N 640201) |
| 18 | QPZ33774 | STRAW SPREADER | 9400 |
| 18 | QPH128234 | STRAW SPREADER | 9500, 9500SH, 9501, 9600 |
| 19 | QPH126345 | FEEDERHOUSE, FIXED W/REVERSER | 9400, 9500, 9500SH, 9501, 9600 |